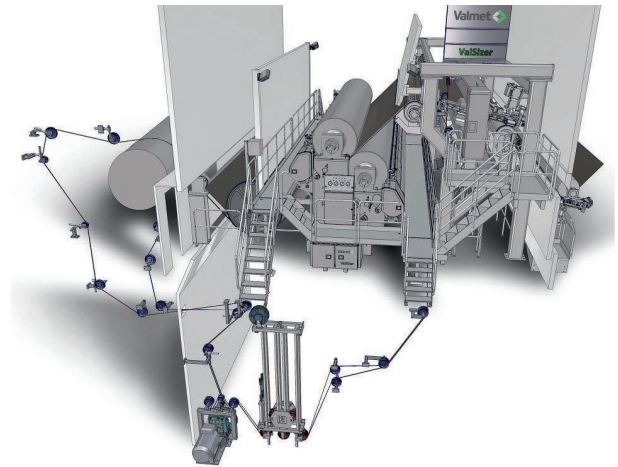


Valmet Tail Threading Rope

Valmet Tail Threading Rope* solutions offer a wide range of solutions (two rope system or three rope system) for reliable and efficient tail threading.

Valmet Tail Threading Rope solutions include:

- Sheaves
- Stretcher
- Drive
- Off-track



Sheaves

Valmet Tail Threading Rope product family consists of different types of sheaves and various compositions to suit your requirements.

The material of Valmet's sheaves is steel or acid proof steel and the grease lubricated roller bearings are equipped with covers and central lubrication if needed. The sheaves are statically balanced.

Stretcher

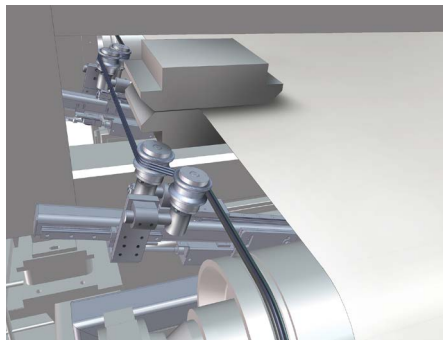
Pneumatically operated stretcher's are connected to sheet break automatics. Both vertical and horizontal models are available. With Valmet stretchers you can achieve greater rope tension during tail threading process and this allows also long stretching length. The stretchers are safe and easy to operate and service.

Drive

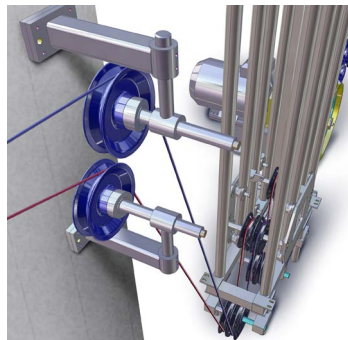
Valmet's drive includes in and out coming rope sheaves, with separating rope sheave featuring double round for the ropes. It has a painted steel body, coupling and drive motor.

Off-track

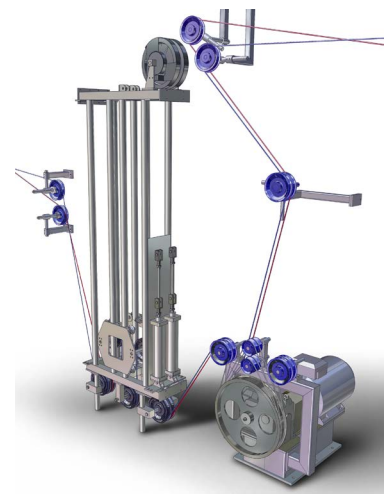
Pneumatically operated off-track moves rope supporting sheaves outside the machine during production.



Off-track



Rope pulleys



Stretcher and drive

*earlier known as TailRope

For more information, contact your local Valmet office.
valmet.com/solutionfinder, e-mail: paper.service@valmet.com
Specifications in this document are subject to change without notice.
Product names in this publication are all trademarks of Valmet Corporation.