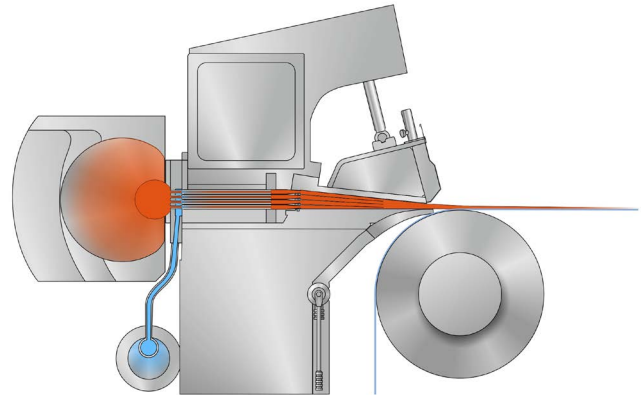


# Valmet Headbox Sheets

Valmet Headbox Sheets PC<sup>1</sup>, CF<sup>2</sup> and PVC<sup>3</sup> are generally recognized as the most widely used headbox flow sheets in the industry. Valmet's flow sheet product range has now been supplemented with a new sheet material PVC-C. The proven performance of Valmet Headbox Sheet PVC-C<sup>4</sup> will make a significant contribution to product quality and efficiency.

## Benefits

- Improved formation
- More uniform CD basis weight
- More uniform caliper
- Enhanced edge properties



## Maximal product quality

Headbox flow sheets are among the most important headbox components used to produce a uniform flow of stock from the slice opening to the forming section.

Flow sheets are offered for all (Beloit and) Valmet headbox types from conventional Fourdrinier and top wire designs to twin wire gap formers.

## Flow sheet designs and materials

Valmet Headbox Sheets incorporate over 40 years of related OEM experience. The technological know-how

gained has yielded four proven flow sheet materials, namely PC, PVC, CF, and now PVC-C.

PC is the most widely used flow sheet material (polycarbonate). CF is a carbon fiber composite with improved features that provide a longer useful sheet life (3 to 5 years). PVC provides good chemical resistance for certain lower temperature applications. PVC-C is an improved version of PVC that offers good chemical resistance combined with good thermal resistance.

		PC (Polycarbonate)	PVC (Polyvinylchloride)	PVC-C (Improved PVC)	CF (Carbon fiber composite)
Specific gravity	Kg/m <sup>3</sup>	1200	1400	1520	1550
Water absorption	%	0.18 - 0.35	0.04 - 0.45	0.04 - 0.45	0.022
Coefficient of linear thermal expansion	/°C	0.000067	0.00008	0.00008	0.0000055
Max. temperature	°C	135	50	75	140
Tensile yield strength	MPa	62	50	60	1500
Tehnsile modulus	Gpa	2.4	3	2.4	70
Chemical resistance		Good, but NOT alkali and solvent	Good, but NOT solvent	Good, but NOT solvent	Excellent
Expected lifetime	Months	6-12	6-12	6-12	36-60

<sup>1</sup> earlier known as PolySheet

<sup>3</sup> earlier known as ChlorigSheet

<sup>2</sup> earlier known as DuraSheet

<sup>4</sup> earlier known as EasySheet





## Easy maintenance

CF, PVC and PVC-C do not need to be removed from the headbox for chemical boil-outs. It saves both time and maintenance costs.

Valmet Headbox Sheets are manufactured to exacting straightness, flatness and smoothness tolerances, all of which are critical to the product quality of our customers in terms of better formation, uniform CD basis weight, caliper, and edge control properties.

## Customer service

Deliveries are quick and tailored to customers' specific needs. Field service personnel are available to provide flow sheet product and process assistance. All headbox types are supported with a full range of components from slice lips to aprons, actuators, dilution valves, end seals, etc. Headbox process and condition testing and headbox maintenance services are also available.

Hinge types	Available materials	Available sheet thickness
 OptiFlo, SymFlo	PC, PVC, PVC-C, CF	3 mm
 Converflo, BelBaie, Twin wire former	PC, CF	1 mm, 2 mm, 3 mm
 Converflo	PC	1 mm, 2 mm, 3 mm
 Thin channel or Concept III	PC, CF	1 mm, 2 mm, 3 mm
 Concept IV BelBaie	PC, CF	3 mm

*Available sheet types and designs*