

Valmet Tail Threading Single Fabric

Tail threading system for single felted dryer groups

Valmet Tail Threading Single Fabric (SF)* ropeless tail threading system is designed for single-felted dryer groups and it provides improved safety and machine efficiency with low maintenance needs.

Benefits

- Elimination of production time losses caused by rope changes
- Savings in rope costs
- Faster and more reliable tail threading
- Human safety
- Mechanical safety
- Low maintenance need

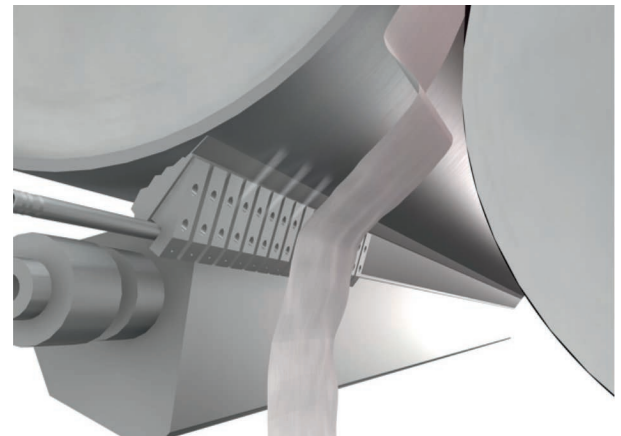
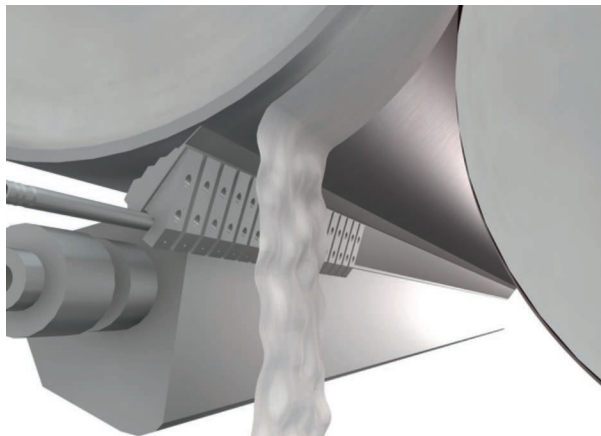


Unique features

Valmet Tail Threading SF is compressed air operated with no wearing parts and a low maintenance need. The tail threading process is very safe, because there is no need for ropes. With Valmet Tail Threading SF unplanned shutdowns and rope changes are eliminated.

The operation is based on Valmet Dryer Vac Rolls or Valmet Dryer Tail Vac Rolls with Valmet Dryer

Runnability UR** or Valmet Web Stabilizer*** HS blowboxes. If dryer vac rolls are not needed from the runnability point of view, dryer tail vac is an economical and suitable solution. Dryer tail vac can be drilled in a short shutdown, and grooved Valmet Dryer Uno Rolls**** or plain rolls can also be drilled. To assist tail threading, cut-off and knock-off blows can be added as needed.



*earlier known as SingleForce

**earlier known as UnoRun

***earlier known as SymRun

****earlier known as UnoRolls

For more information, contact your local Valmet office.

valmet.com/solutionfinder, e-mail: paper.service@valmet.com

Specifications in this document are subject to change without notice.

Product names in this publication are all trademarks of Valmet Corporation.