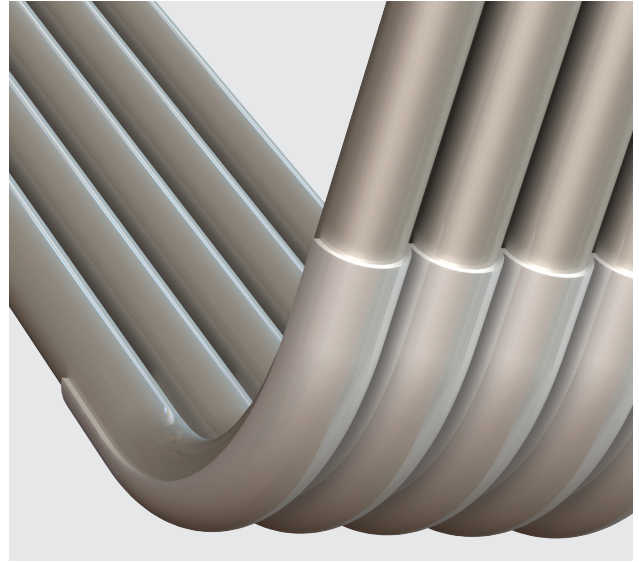


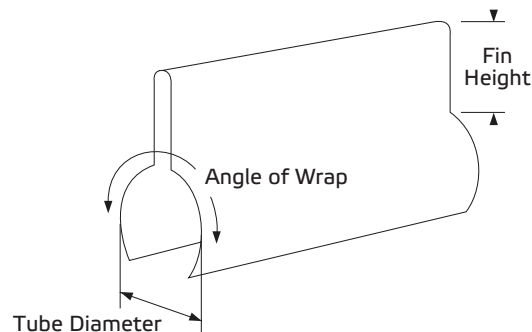
# Custom Economizer Shields

Special design provides effective protection for finned tubes. Economizer Shields can be manufactured to accommodate tube OD, angle of wrap and fin height. Angle of wrap is available between 60° and 240° with fin heights ranging from 1.50" to 2.25".



## Custom Economizer Shield Options

	Tube Style	Economizer Style
	Tube Diameter	1.500" to 3.000" (Tube OD is shield ID) XML
	Angle of Wrap	60° to 240° XML
	Gauge	14 to 24 XML
	Material	304 SS 316 SS 309 SS 310 SS 430 SS Inconel
	Length	Up to 48" XML
	Fin Height	1.50" to 2.35" XML



## Process Information

### Welding Certifications

ASME Code Stamps:  
• S: ASME Section 1  
• U: ASME Section VIII  
• R: NBIC Repair of Pressure Vessels

Inspectors CWI certified

### Stainless Steel Inventory

Valmet has an extensive inventory in sheet, bar, and welding materials maintained for heat resistant, corrosion resistant, and high temperature alloys. All products are purchased to proprietary customized specifications as well as normal industry standards with supporting documentation. The ability to obtain mill direct pricing and consignment inventory control has enabled our team to provide competitively priced products and control delivery of projects.

### Location

Charlotte, NC