

Conductivity Sensor 4043

For high conductivities

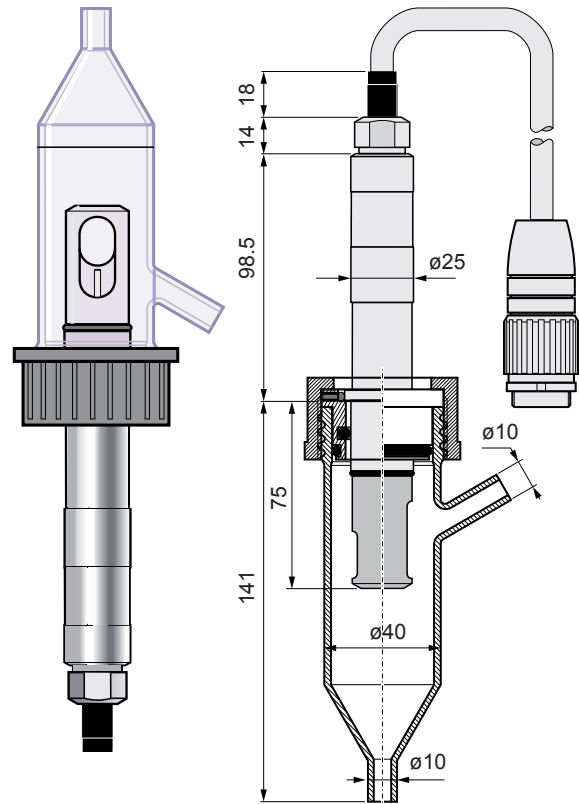
4-electrode conductivity sensor with type 74 flow chamber. Used with portable TCU series 3000.

Warning:

- Due to high CO₂ permeability, do not use silicone tubing for ultra low conductivity measurements.
- After measurements above 10 mS/cm it is necessary to flush the sensor for 2 hours before doing measurements below 5 µS/cm.

Technical data

Materials	PVDF, EPDM, silicone rubber and steel W 1.4404 (AISI 316L)
Flow chamber	PVDF and DURAN® Borosilicate glass 3.3
Pressure	max. 2 bar at 100 °C
Cell constant	1.0 ± 0.5 % (electrically adjusted) Calibrated in a flow chamber. If used without flow chamber, cell constant correction is required. Error -0.82 %
Reproduceability	±1.5 %
Linearity	From 200 000 to 0.5 µS/cm ± 1 % per decade Cable error: 8 ± 4 nS/cm per meter of cable
Temp. sensor	Pt 1000 (IEC 751 class A)
Time delay	T ₉₀ , 9 sec.
Protection	IP65 splash-proof (DIN 40 050)
Sensor cable	PVC 12 x 0.25 mm ² screened standard length 1 m max. temp. 70 °C
Connection	12-pole Binder
Weight	0.5 kg



Dimensions in mm