

# Conductivity Sensor 4049

UPW flow sensor for low conductivities

Conductivity sensor with type 73 flow chamber. Used with portable TCU series 3000.

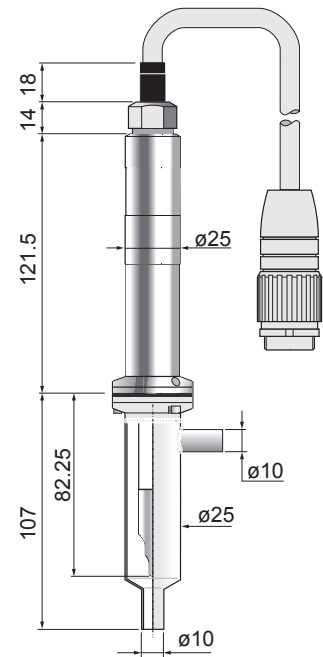
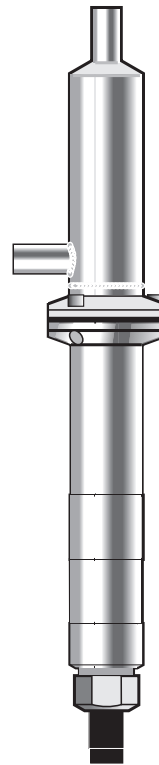
## Accessories included:

- 1.9 m of transparent smooth C-flex Tubing (type 70753) with low gas permeability and excellent chemical resistance. Dimensions: id 9.6 mm, od 12.8 mm.

## Warning:

- Due to high CO<sub>2</sub> permeability, do not use silicone tubing for ultra low conductivity measurements.

Technical data	
Materials	PTFE, EPDM, silicone rubber and steel W 1.4404 (AISI 316L)
Flow chamber	Steel W 1.4404 (AISI 316L)
Pressure	max. 2 bar at 100 °C
Cell constant	1.0 ± 0.5 % (electrically adjusted) Calibrated in a flow chamber; cannot be used without the flow chamber.
Reproduceability	± 1.5 %
Linearity	From 2000 to 0.055 µS/cm ± 1 % per decade Cable error: ± 1 nS/cm for cable lengths 1 to 20 meters
Temp. sensor	Pt 1000 (IEC 751 class A)
Time delay	T <sub>90</sub> , 9 sec.
Protection	IP65 splash-proof (DIN 40 050)
Sensor cable	PVC
	standard length 1 m
	max. temp. 70 °C
Connection	12-pole Binder
Weight	0.7 kg



Dimensions in mm